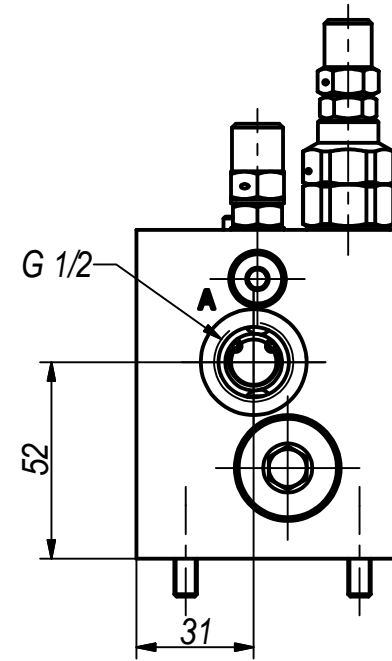
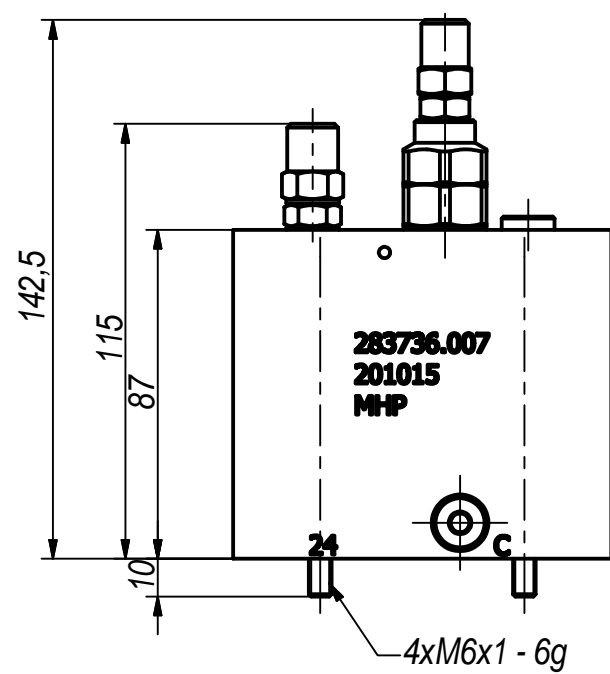
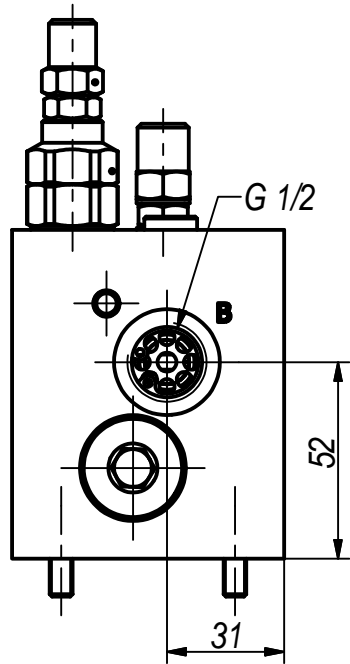
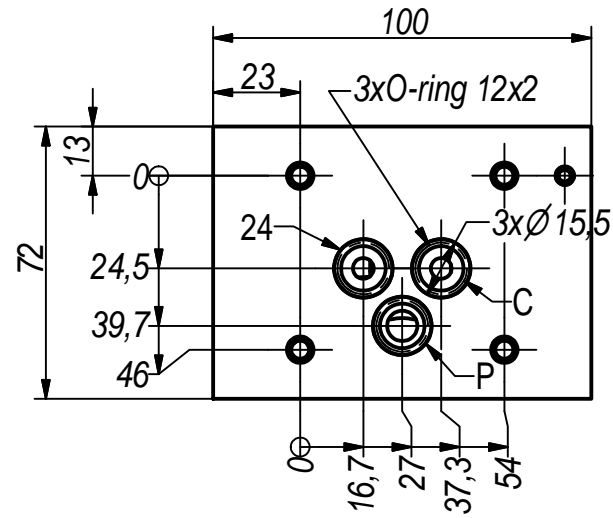
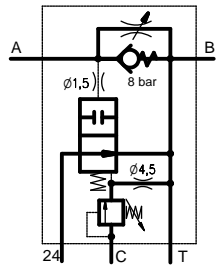


VALVE BLOCK BV94

Hydraulic scheme



Technical data
Maximal pressure - 500 bar
Nominal flow rate - 20 L/min