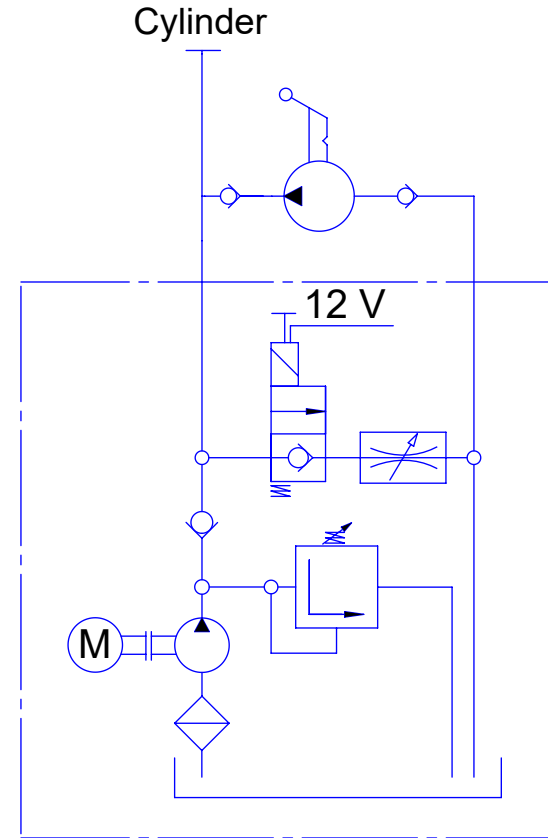


Hydraulic Circuit
Cylinder port: PF 1/4"



ELECTRIC MOTOR

PUMP & OIL TANK

MAX. PRESSURE

Power: 0.8 kW

Pump displacement: 0.5 cc/rev

P: 200 bar

Voltage: 12 V DC

Tank Capacity: 1,5 liter plastic tank

Notes:



Sanayi Mah. İzmit Sanayi Sitesi 13. Cad. İç Kapı No: 54 İzmit/KOCAELİ - TURKEY
Tel: +90 262 335 63 66 Fax: +90 262 335 63 70
www.hydropack.com.tr / info@hydropack.com.tr

	NAME	SIGNATURE	DATE	MATERIAL:
DESIGNED BY	H. TARHAN		22.09.2016	

DESCRIPTION	A4
WHEELCHAIR LIFT POWER UNIT	