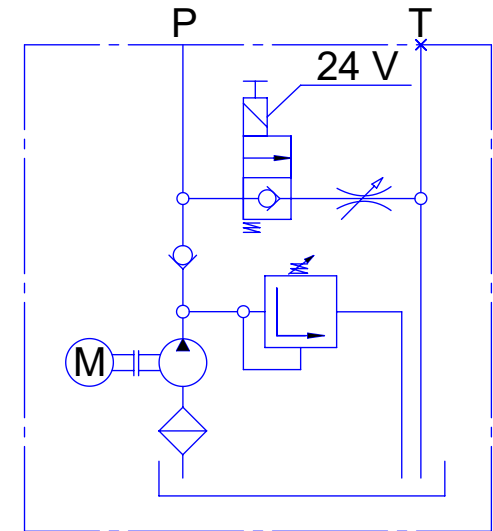


Hydraulic Circuit
P, T = G 3/8



ELECTRIC MOTOR

PUMP & OIL TANK

MAX. PRESSURE

Power: 1.5 kW

Pump displacement: 2.1 cc/rev

P: 230 bar

Voltage: 380 V AC

Tank Capacity: 6 liter cylinder, vertical

Notes: Motor speed is 1450 rpm.

	NAME	SIGNATURE	DATE	MATERIAL:
DESIGNED BY	H. TARHAN		27.06.2016	

DIMENSIONS: mm

SCALE: 1:5

PAGE 1 / 1



Sanayi Mah. İzmit Sanayi Sitesi 13. Cad. İç Kapı No: 54 İzmit/KOCAELI - TURKEY
Tel: +90 262 335 63 66 Fax: +90 262 335 63 70
www.hydropack.com.tr / info@hydropack.com.tr

MINI POWER PACK

A4