

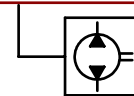
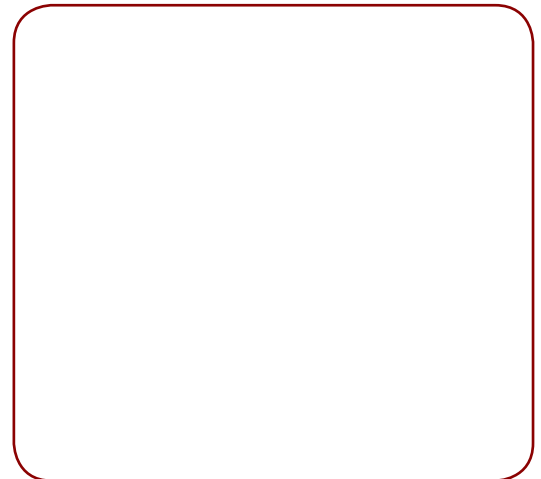
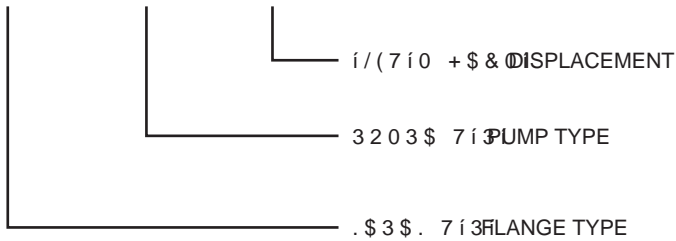
EDNA 20 SERIES GEAR PUMP  
 BIDIRECTIONAL PUMP

# ISO SERIE EDNA

CODE SYSTEMS

## DIN 5462

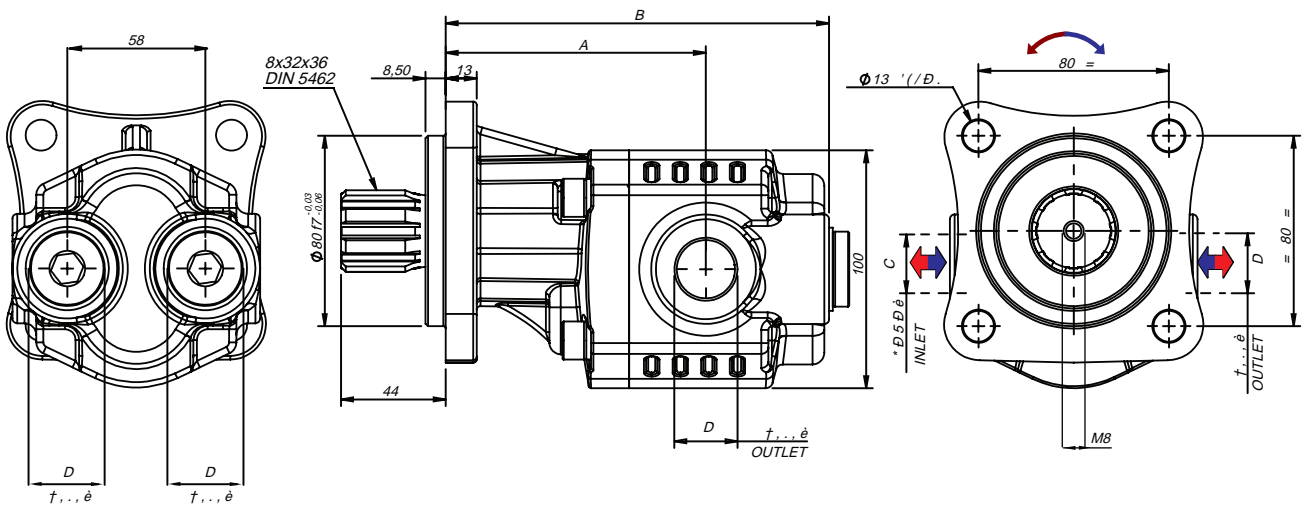
XXX - XXX - XX



Hydraulic pump symbol

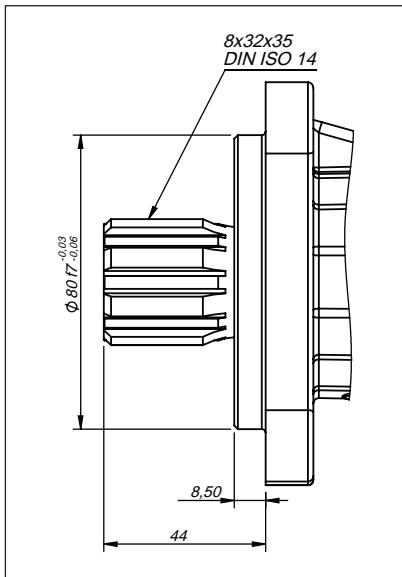
EDNA SERIES

Flow rate symbol:  $Q$  (l/h) or  $Q$  (l/min)



### TECHNICAL DATA

RG Code	Displacement FP UHY	PP	PP	C INLET	OUTLET	WEIGHT NJ
,62 ('1\$ %'				* p	* p	
,62 ('1\$ %'				* p	* p	
,62 ('1\$ %'				* p	* p	
,62 ('1\$ %'				* p	* p	
,62 ('1\$ %'				* p	* p	8
,62 ('1\$ %'				* p	* p	



SHAFT FEATURES

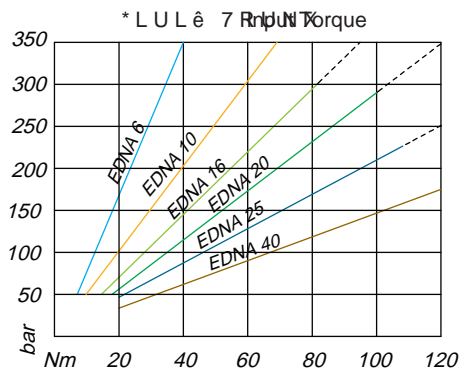
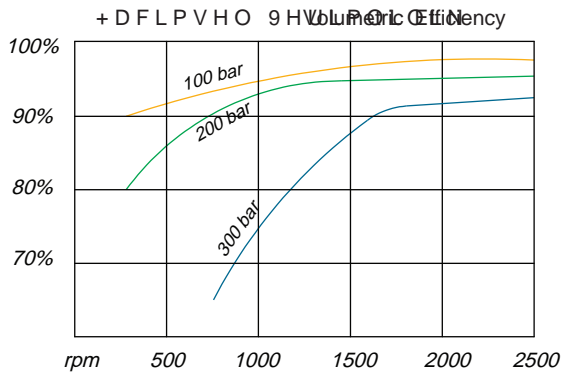
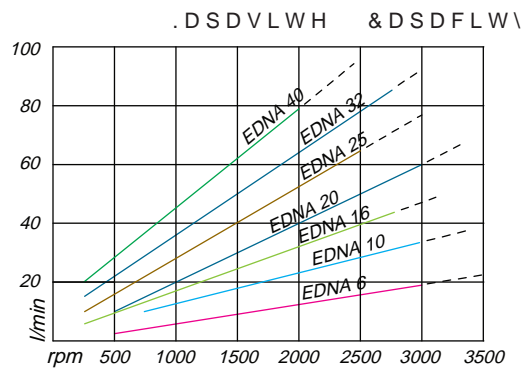
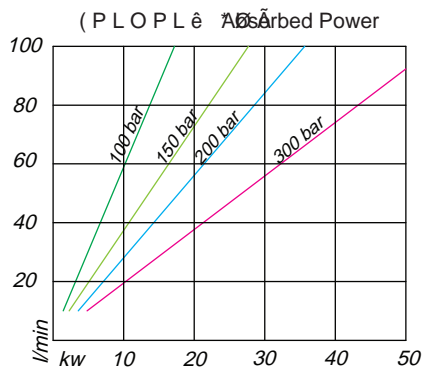
7 TECHNICAL DATA

* Inlet Pressure	EDU
Operating Viscosity Range	VW
Fluid Temperature °C (t)	CE & CE W CE &

RECOMMENDED FILTER (Return Or Outlet)

Working Pressure	1.6	6.2	10
≤ EDU			
≥ 200 bar			

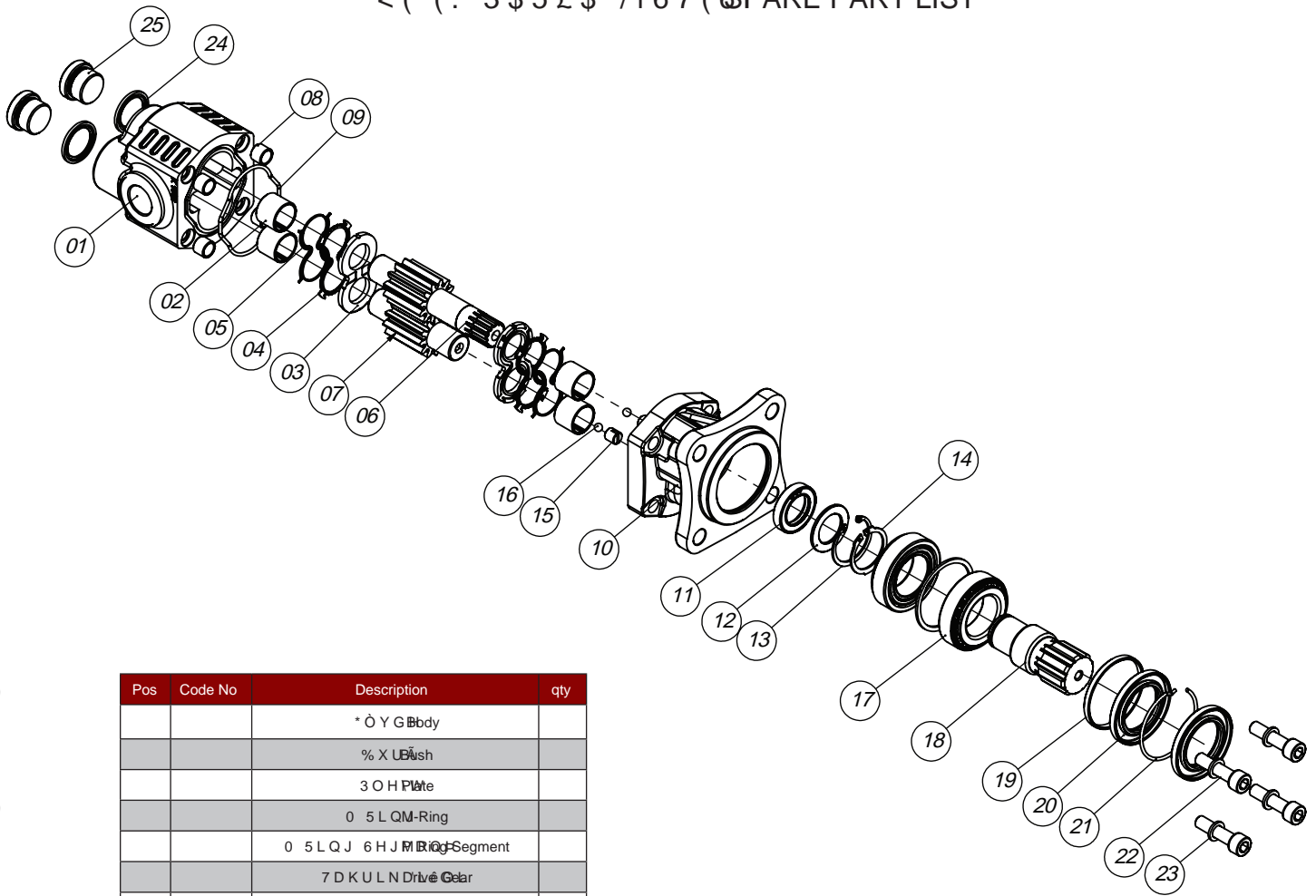
DIAGRAMS



TYPE	6	10	16	20	25	32	40
Displacement	FP Q	FP Q	FP Q	FP Q	FP Q	FP Q	FP Q
Max. Continuous Operating Pressure	EDU	EDU	EDU	EDU	EDU	EDU	EDU
Max. Speed	PLQ	PLQ	PLQ	PLQ	PLQ	PLQ	PLQ

EDNA SERIES

3 \$ 5 £ \$ / í 6 7 ( 6 SPARE PART LIST



Pos	Code No	Description	qty
		* Ö Y G Bbody	
		% X L B Bush	
		3 O H Plate	
		0 5 L Q M-Ring	
		0 5 L Q J 6 H J M B Ring-Segment	
		7 D K U L N Drive Gear	
		3 L Q \ R Q Pinion Gear	
		* Ö Y G H < Ø N Body Trimble	
		2 5 L Q Q-Ring	
		² Q . D S F Front Cover	
		. H Ä H Seal	
		. H Ä H 3 X Seal Washer	
		6 H J P D Segment	
		6 H J P D Segment	
		. Ö U 7 D B Plug	
		% L C B Plug	
		5 X O P D Q % H D U P Q J	
		\$ G D S W H U Adaptor Shaft	
		. H Ä H \$ O W Seal Bottom Washer	
		. H Ä H Seal	
		7 H O 6 H J W D Segment	
		& L Y D B W D	
		3 X Washer	
		3 X Washer	
		. Ö U 7 D B Plug	

. ( £ ( 7 \$ . , 0 , SEAL KIT

2' CODE NO	Description	TW \	. X Y Y H W 7 D \$ O P D Plugs	
000800	7 D Q P Description . R P S O H . H Ä H Complete Seal Kit í Ä H U Content		*	1 P
			* p	1 P
			0 p	1 P